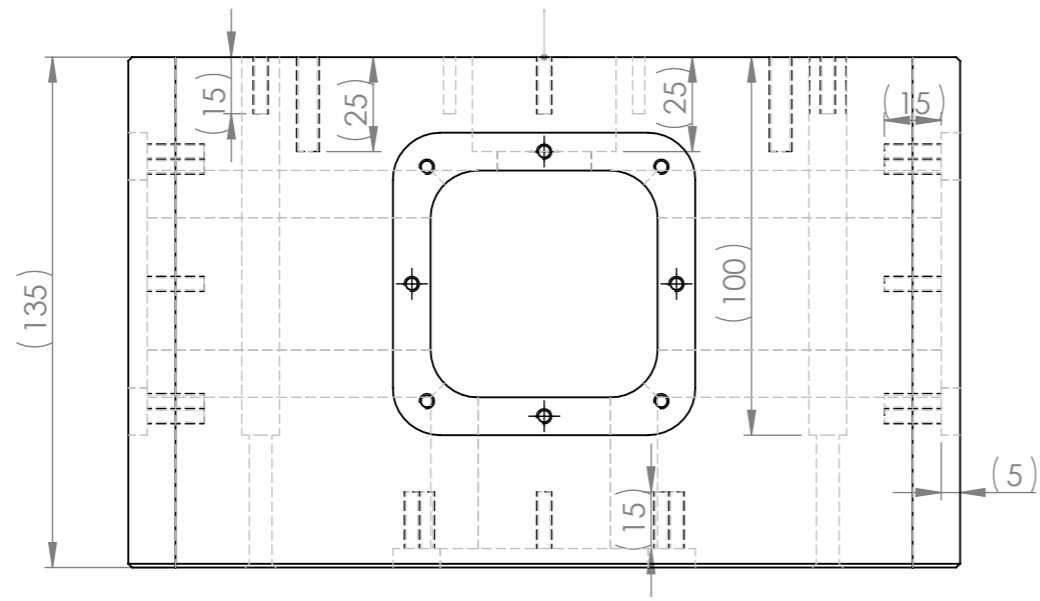
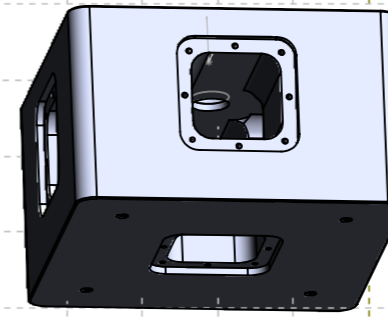
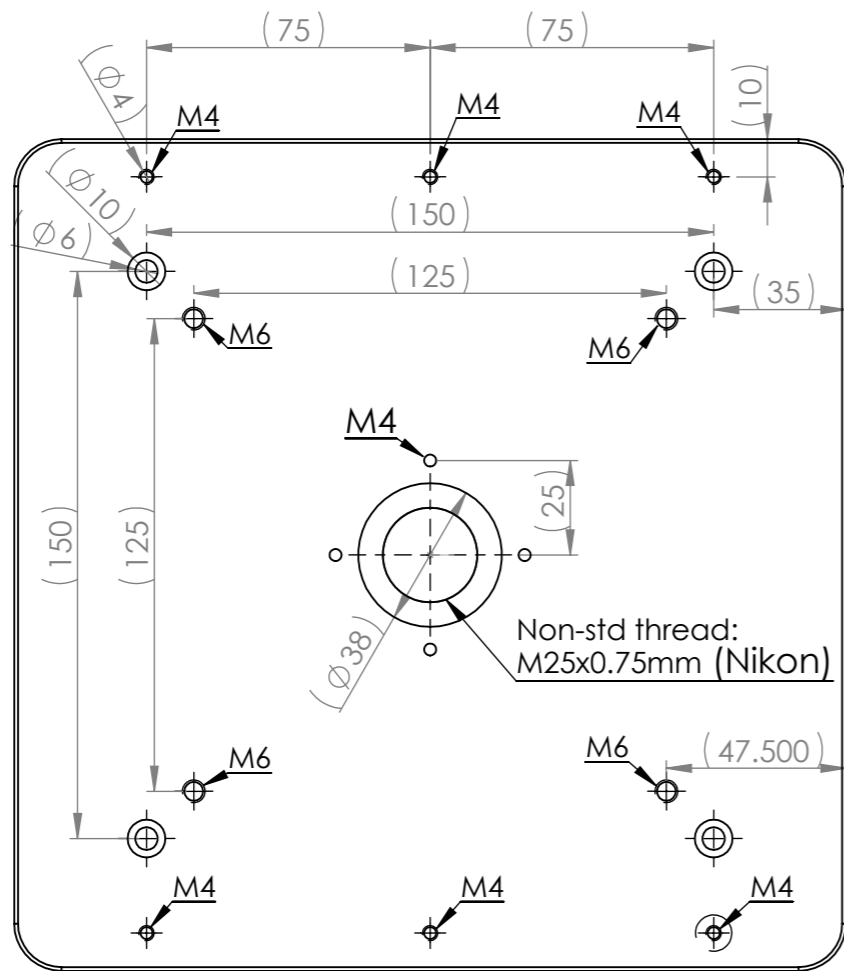


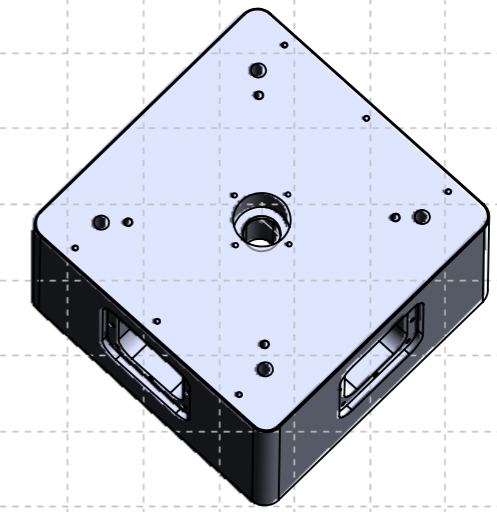
Side view



Top view

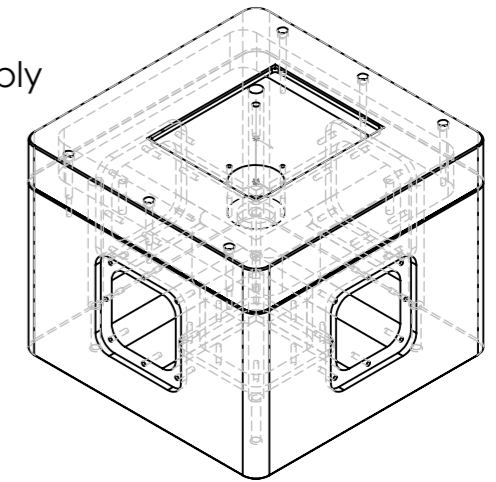


SCALE 1 : 5



SCALE 1 : 5

Assembly view



UNLESS OTHERWISE SPECIFIED: DIMENSIONS ARE IN MILLIMETERS SURFACE FINISH: TOLERANCES: LINEAR: ANGULAR:				FINISH:		DEBUR AND BREAK SHARP EDGES		DO NOT SCALE DRAWING		REVISION	
DRAWN				NAME		SIGNATURE		DATE		TITLE:	
CHK'D											
APPV'D											
MFG											
Q.A								MATERIAL:		DWG NO.	
										baseN	
								WEIGHT:		SCALE:1:2	
										SHEET 2 OF 2	
										A3	